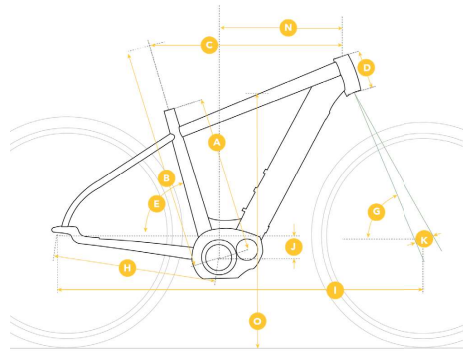


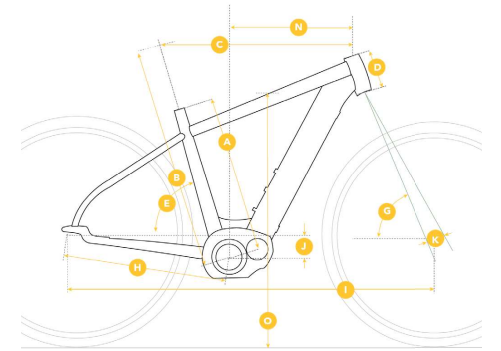
## POWERWOLF EVO + INTL

|                                   | S      | M      | L      | XL     |
|-----------------------------------|--------|--------|--------|--------|
| Size (cm)                         | 43     | 48     | 53     | 59     |
| <b>A</b> Seat Tube C to T         | 440    | 482    | 533    | 584    |
| <b>B</b> Seat Tube Effective      | 612    | 629    | 637    | 641    |
| <b>C</b> Top Tube Effective       | 571    | 589    | 605    | 620    |
| <b>D</b> Head Tube Length         | 120    | 140    | 155    | 155    |
| <b>E</b> Seat Tube Angle / Actual | 72.5 ° | 71.5 ° | 71.5 ° | 71.5 ° |
| <b>G</b> Headtube Angle           | 70 °   | 70.5 ° | 70.5 ° | 70.5 ° |
| <b>H</b> Chainstay Length         | 493    | 493    | 493    | 493    |
| <b>I</b> Wheelbase                | 1101   | 1103   | 1119   | 1134   |
| <b>J</b> BB Drop                  | 60     | 60     | 60     | 60     |
| <b>K</b> Fork Offset              | 44     | 44     | 44     | 44     |
| <b>M</b> Stack                    | 606    | 628    | 642    | 642    |
| <b>N</b> Reach                    | 380    | 378    | 390    | 405    |
| <b>O</b> Standover                | 806    | 853    | 889    | 931    |



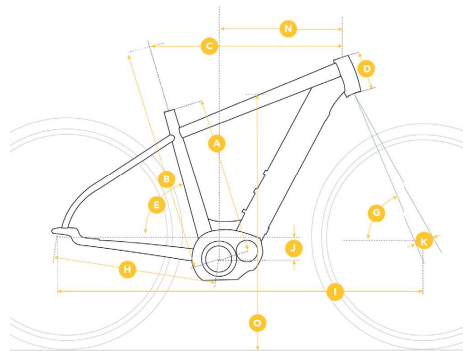
## POWERTRIP EVO IG 1.1+ INTL

|                                   | S      | M      | L      | XL     | XXL    |
|-----------------------------------|--------|--------|--------|--------|--------|
| Size (cm)                         | 45     | 50     | 55     | 60     | 65     |
| <b>A</b> Seat Tube C to T         | 450    | 500    | 550    | 600    | 650    |
| <b>B</b> Seat Tube Effective      | 610    | 612    | 634    | 622    | 620    |
| <b>C</b> Top Tube Effective       | 566    | 575    | 580    | 610    | 620    |
| <b>D</b> Head Tube Length         | 120    | 130    | 140    | 150    | 160    |
| <b>E</b> Seat Tube Angle / Actual | 74.0 ° | 74.0 ° | 74.0 ° | 74.0 ° | 74.0 ° |
| <b>G</b> Headtube Angle           | 70.5 ° | 71.5 ° | 71.5 ° | 71.5 ° | 71.5 ° |
| <b>H</b> Chainstay Length         | 475    | 475    | 475    | 475    | 475    |
| <b>I</b> Wheelbase                | 1081   | 1085   | 1085   | 1116   | 1126   |
| <b>J</b> BB Drop                  | 60     | 60     | 60     | 60     | 60     |
| <b>K</b> Fork Offset              | 45     | 45     | 45     | 45     | 45     |
| <b>M</b> Stack                    | 610    | 622    | 633    | 643    | 652    |
| <b>N</b> Reach                    | 363    | 368    | 370    | 397    | 404    |
| <b>O</b> Standover                | 765    | 804    | 840    | 858    | 881    |



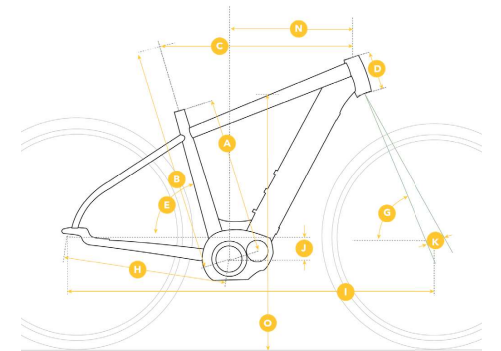
## POWERTRIP EVO 1.1+ INTL

|                                   | S      | M      | L      | XL     | XXL    |
|-----------------------------------|--------|--------|--------|--------|--------|
| Size (cm)                         | 45     | 50     | 55     | 60     | 65     |
| <b>A</b> Seat Tube C to T         | 450    | 500    | 550    | 600    | 650    |
| <b>B</b> Seat Tube Effective      | 610    | 612    | 634    | 622    | 620    |
| <b>C</b> Top Tube Effective       | 566    | 575    | 580    | 610    | 620    |
| <b>D</b> Head Tube Length         | 120    | 130    | 140    | 150    | 160    |
| <b>E</b> Seat Tube Angle / Actual | 74.0 ° | 74.0 ° | 74.0 ° | 74.0 ° | 74.0 ° |
| <b>G</b> Headtube Angle           | 70.5 ° | 71.5 ° | 71.5 ° | 71.5 ° | 71.5 ° |
| <b>H</b> Chainstay Length         | 475    | 475    | 475    | 475    | 475    |
| <b>I</b> Wheelbase                | 1081   | 1085   | 1085   | 1116   | 1126   |
| <b>J</b> BB Drop                  | 60     | 60     | 60     | 60     | 60     |
| <b>K</b> Fork Offset              | 45     | 45     | 45     | 45     | 45     |
| <b>M</b> Stack                    | 610    | 622    | 633    | 643    | 652    |
| <b>N</b> Reach                    | 363    | 368    | 370    | 397    | 404    |
| <b>O</b> Standover                | 765    | 804    | 840    | 858    | 881    |



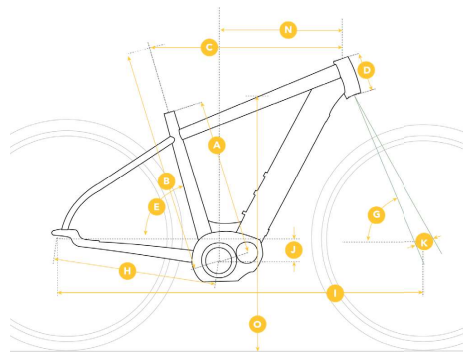
## POWERTRIP EVO IG 1.3+ INTL

|                                   | S      | M      | L      | XL     | XXL    |
|-----------------------------------|--------|--------|--------|--------|--------|
| Size (cm)                         | 45     | 50     | 55     | 60     | 65     |
| <b>A</b> Seat Tube C to T         | 450    | 500    | 550    | 600    | 650    |
| <b>B</b> Seat Tube Effective      | 610    | 612    | 634    | 622    | 620    |
| <b>C</b> Top Tube Effective       | 566    | 575    | 580    | 610    | 620    |
| <b>D</b> Head Tube Length         | 120    | 130    | 140    | 150    | 160    |
| <b>E</b> Seat Tube Angle / Actual | 74.0 ° | 74.0 ° | 74.0 ° | 74.0 ° | 74.0 ° |
| <b>G</b> Headtube Angle           | 70.5 ° | 71.5 ° | 71.5 ° | 71.5 ° | 71.5 ° |
| <b>H</b> Chainstay Length         | 475    | 475    | 475    | 475    | 475    |
| <b>I</b> Wheelbase                | 1081   | 1085   | 1085   | 1116   | 1126   |
| <b>J</b> BB Drop                  | 60     | 60     | 60     | 60     | 60     |
| <b>K</b> Fork Offset              | 45     | 45     | 45     | 45     | 45     |
| <b>M</b> Stack                    | 610    | 622    | 633    | 643    | 652    |
| <b>N</b> Reach                    | 363    | 368    | 370    | 397    | 404    |
| <b>O</b> Standover                | 765    | 804    | 840    | 858    | 881    |



## POWERTRIP EVO 1.3+ INTL

|                                   | S      | M      | L      | XL     | XXL    |
|-----------------------------------|--------|--------|--------|--------|--------|
| Size (cm)                         | 45     | 50     | 55     | 60     | 65     |
| <b>A</b> Seat Tube C to T         | 450    | 500    | 550    | 600    | 650    |
| <b>B</b> Seat Tube Effective      | 610    | 612    | 634    | 622    | 620    |
| <b>C</b> Top Tube Effective       | 566    | 575    | 580    | 610    | 620    |
| <b>D</b> Head Tube Length         | 120    | 130    | 140    | 150    | 160    |
| <b>E</b> Seat Tube Angle / Actual | 74.0 ° | 74.0 ° | 74.0 ° | 74.0 ° | 74.0 ° |
| <b>G</b> Headtube Angle           | 70.5 ° | 71.5 ° | 71.5 ° | 71.5 ° | 71.5 ° |
| <b>H</b> Chainstay Length         | 475    | 475    | 475    | 475    | 475    |
| <b>I</b> Wheelbase                | 1081   | 1085   | 1085   | 1116   | 1126   |
| <b>J</b> BB Drop                  | 60     | 60     | 60     | 60     | 60     |
| <b>K</b> Fork Offset              | 45     | 45     | 45     | 45     | 45     |
| <b>M</b> Stack                    | 610    | 622    | 633    | 643    | 652    |
| <b>N</b> Reach                    | 363    | 368    | 370    | 397    | 404    |
| <b>O</b> Standover                | 765    | 804    | 840    | 858    | 881    |



## POWERWOLF EVO + ST INTL

|                                   | S      | M      | L      | XL     |
|-----------------------------------|--------|--------|--------|--------|
| Size (cm)                         | 41     | 46     | 51     | 55     |
| <b>A</b> Seat Tube C to T         | 406    | 457    | 508    | 546    |
| <b>B</b> Seat Tube Effective      | 619    | 612    | 633    | 648    |
| <b>C</b> Top Tube Effective       | 571    | 590    | 610    | 620    |
| <b>D</b> Head Tube Length         | 130    | 130    | 145    | 160    |
| <b>E</b> Seat Tube Angle / Actual | 72.5 ° | 71.5 ° | 71.5 ° | 71.5 ° |
| <b>G</b> Headtube Angle           | 70 °   | 70.5 ° | 70.5 ° | 70.5 ° |
| <b>H</b> Chainstay Length         | 493    | 493    | 493    | 493    |
| <b>I</b> Wheelbase                | 1091   | 1093   | 1113   | 1123   |
| <b>J</b> BB Drop                  | 60     | 60     | 60     | 60     |
| <b>K</b> Fork Offset              | 44     | 44     | 44     | 44     |
| <b>M</b> Stack                    | 612    | 615    | 622    | 643    |
| <b>N</b> Reach                    | 377    | 384    | 399    | 404    |
| <b>O</b> Standover                | 740    | 745    | 745    | 746    |

